

Project

Date

Models

Korinto Prime

Item #

Quantity



model Korinto Prime

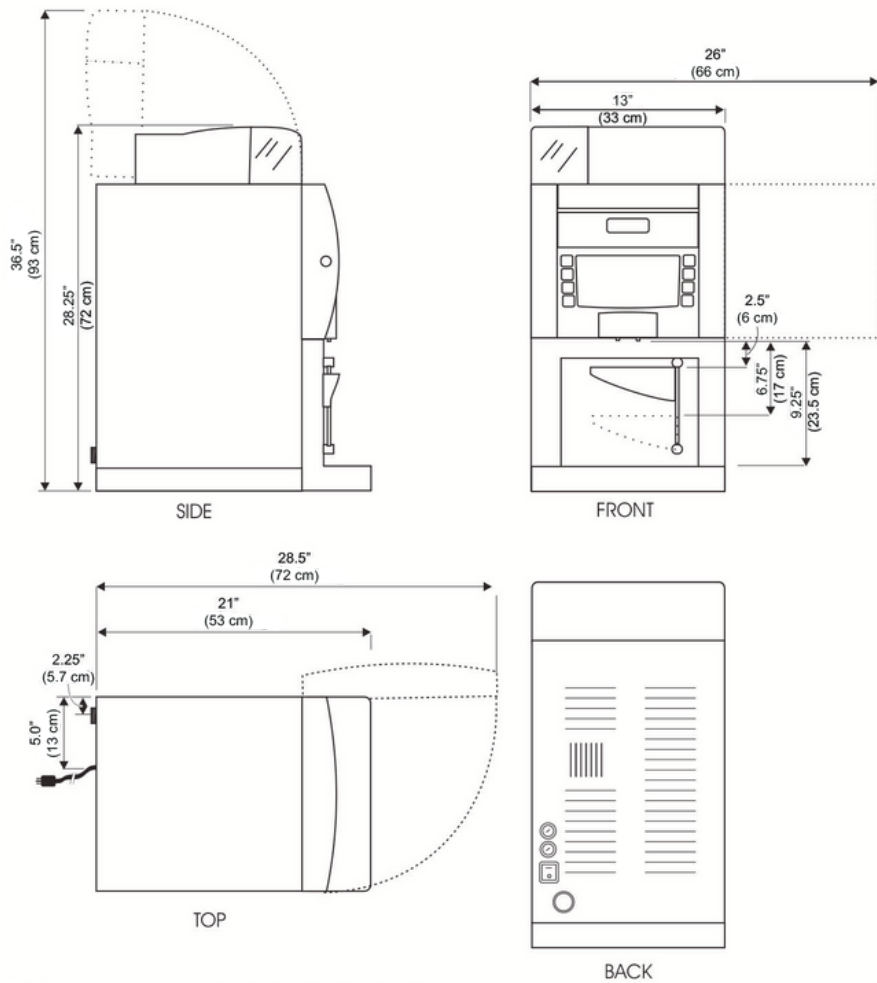
FEATURES

- Super Automatic Espresso Machines that produce café-quality espresso-based beverages using fresh whole bean coffee.
- The Korinto precisely tamps, pre-infuses, and extracts coffee all without the need or expense of a trained barista.
- The Korinto utilizes one whole bean fresh coffee hopper and two soluble product hoppers to create up to eight different specialty beverages including espresso, cappuccino, lattes, mochas, and more.
- Automatic coffee and soluble dosing result in a consistent beverage taste profile.
- Water filtration kit included with purchase.
- Produce up to 80 espressos per hour.
- The simple user interface features backlit, touch-sensitive selection panel and a large graphic display.
- The Korinto can be used in self-service mode or easily operated by any store staff member.
- Attractive and compact design make the Korinto a profitable addition to any existing beverage program or an easy entry point into the specialty beverage market.





KORINTO PRIME SUPER AUTOMATIC ESPRESSO MACHINES



model Korinto Prime



MODELS & SPECIFICATIONS

Model	Description	Dispense Volumes	Electrical Product	Dimensions (H x W X D)	Ship Dimensions (H x W X D)	Ship Weight
Korinto Prime (1005-003)	Super-automatic espresso brewer that utilizes (1) 2.1 lbs. (950 g) coffee bean hopper and (2) soluble hoppers with (1) 20.3 oz (0.6 L) boiler	8 oz, 10 oz, or 12 oz (0.24 L, 0.3 L, or 0.35 L)	120V / 1.5kW	machine closed for dispensing: 28.25" x 13" x 21" (72 cm x 33 cm x 53 cm) with upper lid open for refilling: 36.5" x 13" x 21" (93 cm x 33 cm x 53 cm)	32" X 16" X 24" (81 cm x 41 cm x 61 cm)	72.75 lbs. (33 kg)

Electrical: NEMA 5-15P line cord included.

Note: Installation of this model must be performed by a Grindmaster-Cecilware certified service provider to qualify for factory warranty.

OPTIONS

Installation Package (80598) - Required for all super automatic espresso machines to qualify for factory warranty.

Base Cabinet (250-00015) - For use with Korinto Plus.

Cup Warmer (250-00016) - Cup warmer with 2 shelves. Will hold 40 standard espresso cups or 24 standard cappuccino cups.